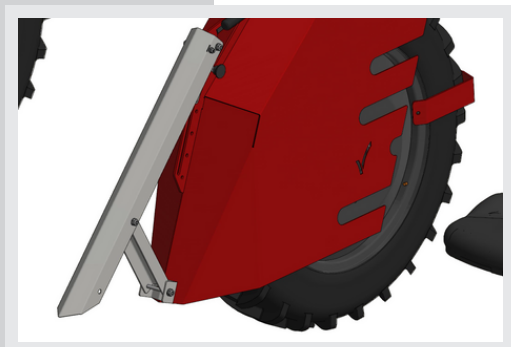


THE MOST COMPREHENSIVE ROGUING CART



✓ Bigger wheels - 8.3R24

✓ More comfortable

✓ More manoeuvrable

The brand new Selecto roguin cart is even more complete, even more comfortable and even more manoeuvrable than you were already used to!

The new Selecto is a four wheel drive roguing cart, of which all four large (8.3R24) wheels are driven by heavy duty hydraulic wheel motors. The Selecto steers by means of an articulated steering, which is stronger and more stable than knuckle steering. Despite the large wheels, the new Selecto is very manoeuvrable on small headlands. This hydrostatic machine is powered by a 25 HP strong 3 cylinder diesel engine which is very quiet and economical in use.

The smoothly operating electric joystick in combination with the electronic throttle controls the driving section. In addition, the Selecto is equipped with cruise-control which ensures a constant speed in the field and is part of the standard equipment. The roguing cart is equipped as standard with two hydraulically height-adjustable seats, a hydraulically tipping bunker and height-adjustable stainless steel haulm guides with spring-loaded break-out protection.

The wheel covers are easy to open or remove, making cleaning the machine easy.

During the design of the Selecto, we paid much attention to the comfort for the user. This is for instance evident in the comfortable seats, the wide foot rests and the electric/hydraulic control of all functions. Although the standard Selecto is already very complete, various options are available.

BENEFITS

- ✓ Powerful four wheel drive
- ✓ 25 HP three-cylinder diesel engine
- ✓ Large 8.3R24 wheels
- ✓ Two hydraulically height-adjustable seats
- ✓ Cruise control
- ✓ Height-adjustable stainless steel haulm guides
- ✓ Large hydraulic tipping bunker with high rear wall
- ✓ Seats extendable to 4.5 meters
- ✓ Track width adjustable 1.4m - 1.9m

OPTIONS

- ✓ 3rd seat with electric/hydraulic controls incl. stop button
- ✓ Radio (bluetooth and DAB+) with two speakers
- ✓ Storage compartment for boots, etc.
- ✓ Lift device for transport behind the tractor
- ✓ Accumulator for seat suspension
- ✓ Revolving sunroof
- ✓ Seats extendable to 6.0 meters
- ✓ Luxury seat

